

※ 考生請注意：本試題可使用計算機，並限「考選部核定之國家考試電子計算器」機型

1. Determine true or false for statements related to devices BJT and MOSFET. If false, please briefly explain to get full credits. (12%)
 - (1) BJT and MOSFET are both three-terminal devices.
 - (2) The emitter current of BJT is solely controlled by the BASE terminal while the drain-to-source current of MOSFET is only controlled by the GATE terminal.
 - (3) The current of BJT and MOSFET in active mode/saturation region are both driven by majority carriers in the respective device.
 - (4) Generally speaking, the current driving strength of BJT device is stronger than that of MOSFET with the same device dimension.
 - (5) There are parasitic diodes in both BJT and MOSFET devices.
 - (6) Einstein relationship can be applied to both BJT and MOSFET devices.

2. A particular MOS inverter has the following transfer characteristic curve as shown in Fig. 1, where V_O is the output voltage and V_i is the input voltage. What are the values for V_{OH} , V_{OL} , V_{IH} , V_{IL} , NM_H and NM_L that are used to define noise margin? (8%)

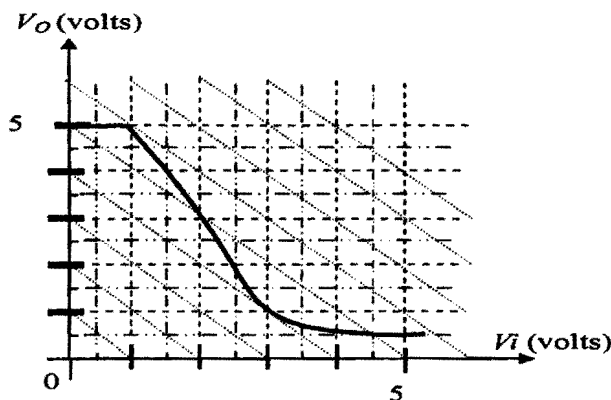


Fig. 1

3. For the MOSFET circuit shown in the Fig. 2, determine the specified output voltage under difference cases. Consider the long-channel process technology for which $|V_{tn}| = |V_{tp}| = 1$ V, $t_{ox} = 8$ nm, $\mu_n = 450 \text{ cm}^2/\text{V}\cdot\text{s}$, $\mu_p = 150 \text{ cm}^2/\text{V}\cdot\text{s}$, $\epsilon_{ox} = 4.0 \times 10^{-11} \text{ F/m}$, $(W/L)_1 = 4 \mu\text{m}/0.8 \mu\text{m}$, $V_{DD} = 5\text{V}$. The subscript 1 & 2 stand for parameters related transistor Q1 & Q2, respectively. Channel-length modulation effect can be ignored here. (13%)
 - (a) What are the values of k'_n and k'_p including their unit?
 - (b) Assume $k'_p(W/L)_2 = k'_n(W/L)_1$, find V_O when $V_i = 0\text{V}$ and $V_i = 5\text{V}$, respectively.
 - (c) Assume $k'_p(W/L)_2 = 0.01k'_n(W/L)_1$, find V_O when $V_i = 2.5\text{V}$.

(背面仍有題目,請繼續作答)

※ 考生請注意：本試題可使用計算機，並限「考選部核定之國家考試電子計算器」機型

4. For the circuit shown in Fig. 3, the relative transistors areas are $A_{Q1}=A_{Q2}=A_{Q3}=A_{Q4}=A_{Q6}=1$. Assume that $v_{BE} \approx 0.7V$ and β is very large for all transistors. Please find the value of resistors (R_1, R_2 and R_3) and A_{Q5} to achieve $I_2=1mA, I_3=50\mu A, I_5=3mA$, and $I_6=100\mu A$. (12%)

5. An active-loaded MOS differential amplifier is shown in Fig. 4. The NMOS transistor parameters are $V_t=+2V, V_A(\text{channel length modulation voltage})=-40V$, and $V_{GS}=+4V$ at $I_D=1mA$; The PMOS transistor parameters are $V_t=-3V, V_A=+40V$, and $V_{GS}=-6V$ at $I_D=1mA$. Please calculate $G_m, R_o(\text{output resistance}), A_d$ (differential gain), and A_c (common-mode gain) (12%).

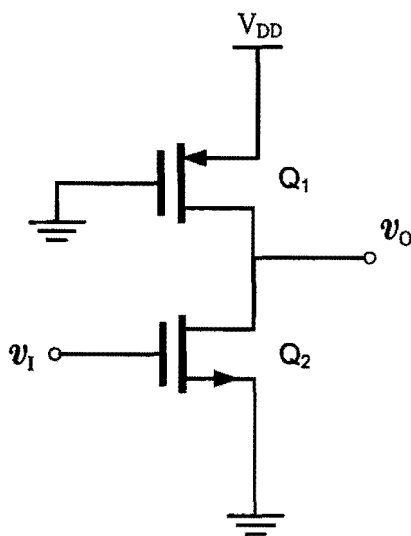


Fig. 2

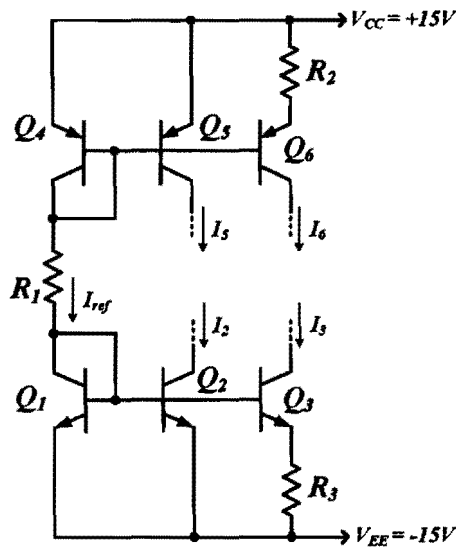


Fig. 3

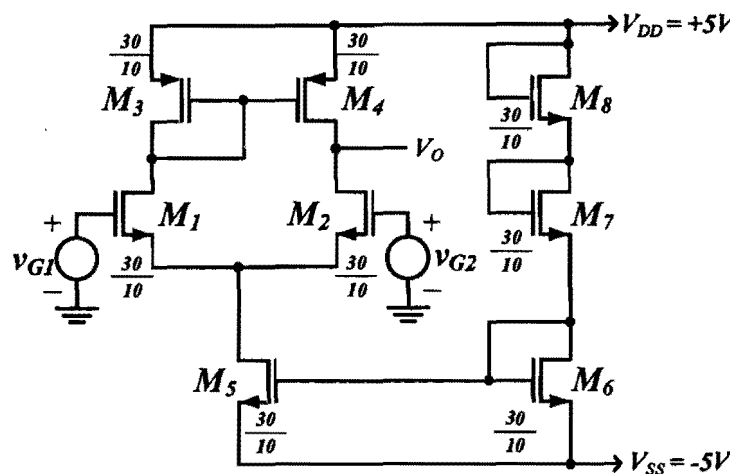


Fig. 4

※ 考生請注意：本試題可使用計算機，並限「考選部核定之國家考試電子計算器」機型

6. A single-pole op amp has a dc gain of 100 dB and a unity-gain frequency of 10 MHz.
 - (a) What is the upper-cutoff frequency of the op amp itself? (3%)
 - (b) If the op amp is used to build a noninverting amplifier with a closed-loop gain of 60 dB, what is the bandwidth of the feedback amplifier? (3%)
 - (c) Write an expression for the transfer function of the noninverting amplifier. (3%)
7. A two-stage CMOS Opamp circuit is shown in Fig. 5, ± 1.65 V power supplies are used and all transistors except for Q_6 and Q_7 are operated with overdrive voltages of 0.2 V magnitude; Q_6 and Q_7 , use overdrive voltages of 0.5 V magnitude. The fabrication process provides $V_{tn} = |V_{tp}| = 0.5$ V. If the first-stage bias current $I = 200 \mu\text{A}$, $C = 1.6$ pF.
 - (a) Find the input common-mode range and the range allowed for V_o . (6%)
 - (b) Draw the simplified circuit model for the slewing process. (5%)
 - (c) Calculate the slew rate of this Opamp. (5%)
8. Consider a circuit as shown in Fig. 6 assuming the Opamp to be ideal. Let $C_1 = 0.001 \mu\text{F}$, $C_2 = 0.0047 \mu\text{F}$, $R_1 = 10 \text{ k}\Omega$, $R_2 = 20 \text{ k}\Omega$.
 - (a) Derive the transfer function V_o/V_i . (9%)
 - (b) Plot the frequency response of the transfer function and explain the function of this circuit. (9%)

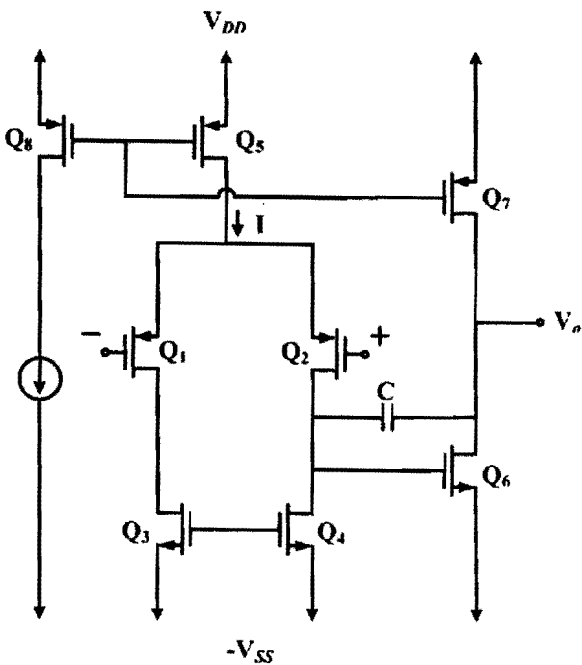


Fig.5

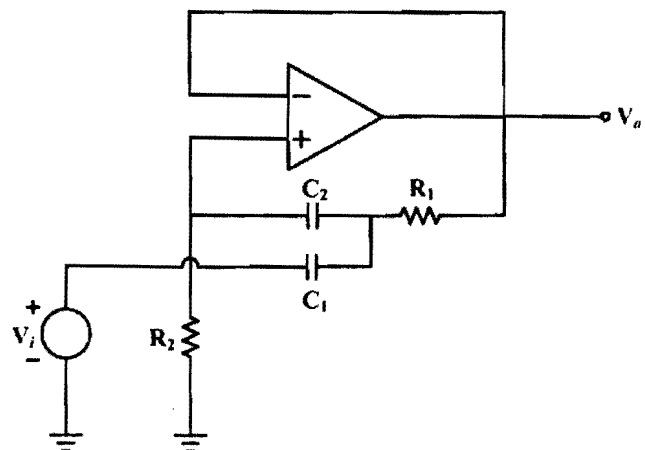


Fig.6