

國立高雄第一科技大學 100 學年度 碩士班 招生考試 試題紙

系所別：電腦與通訊工程所

組別：晶片設計組

考科代碼：2216

考科：電子學

注意事項：

- 1、本科目應使用本校提供之電子計算器。
- 2、請於答案卷上規定之範圍作答，違者該題不予計分。

1. (a) Fig. 1 is a CMOS logic gate, what is the logic function of out? (5%)
 (b) Please draw a three inputs NAND gate using static CMOS logic gate. (5%)

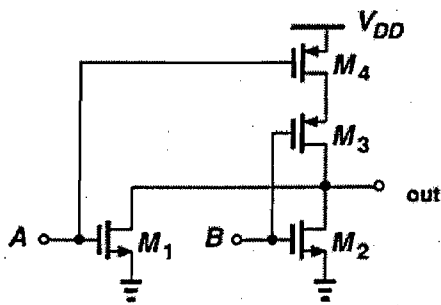


Fig. 1. CMOS logic gate.

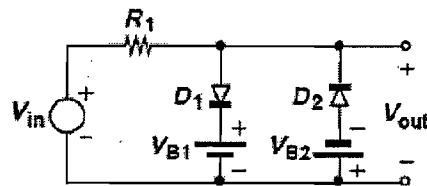


Fig. 2. Diode circuit with sin input.

2. As shown in Fig. 2, the input is a sine wave $V_{in} = 4 \sin(\omega t)$ V, $R_1 = 2K\Omega$, diode's turn on voltage of D_1 and D_2 is $V_{D,on} = 0.7$ V. $V_{B1} = -1$ V and $V_{B2} = 2$ V. Please plot
 - (a) the output waveform (V_{out} v.s. time). (10%)
 - (b) the voltage transfer curve (V_{out} v.s. V_{in}). (10%)

3. Fig. 3 is a common emitter (CE) amplifier. If the current pass R_C is 1mA, $R_C = 1K\Omega$, $\beta = 100$, Early voltage $V_A = 10$ V and temperature at 300°K, please find
 - (a) g_m (transconductance). (5%)
 - (b) A_v (voltage gain). (5%)
 - (c) R_{in} (input resistance). (5%)
 - (d) R_{out} (output resistance). (5%)

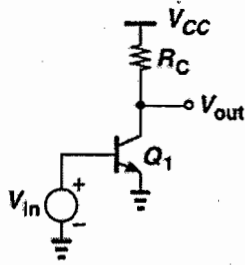


Fig. 3. Common Emitter Amplifier.

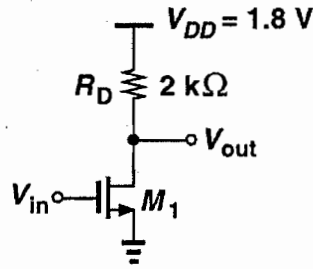


Fig. 4: Common Source stage.

4. In Fig.4, $\mu_n C_{ox} = 100 \text{ uA/V}^2$, $V_{TH} = 0.4\text{V}$, $W/L = 20/0.18$ and $\lambda = 0$.
- Find gate voltage (V_{GS}) if $I_D = 0.5 \text{ mA}$, and verify M_1 operates in saturation. (5%)
 - Calculate the voltage gain A_v . (5%)
 - Find input resistance R_{in} and output resistance R_{out} . (5%)
 - Find the maximum R_D if M_1 still in edge of saturation. (5%)
5. Design a full-wave rectifier as shown in Fig. 5 to deliver an average power of 2 W to a cellphone with a voltage of 3.6 V and a ripple of 0.2V ($V_{D,on} = 0.8\text{V}$, $f_{in} = 60 \text{ Hz}$). Find
- the required capacitor C_1 . (5%)
 - the peak voltage of V_{in} . (5%)

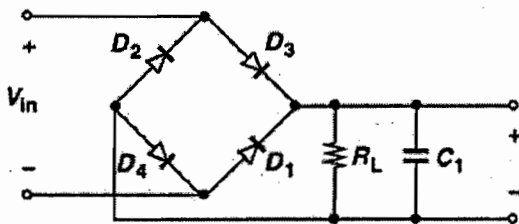


Fig. 5. Full-wave rectifier.

6. As shown in Fig. 6, if A_o is not infinite (i.e. the operational amplifier is not ideal), please derive the V_{out} / V_{in} ? (20%)

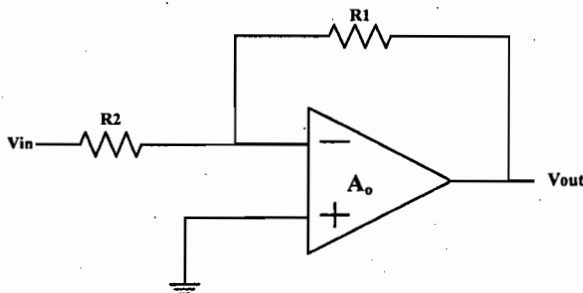


Fig. 6. Operational amplifier.