

※ 考生請注意：本試題可使用計算機。請於答案卷(卡)作答，於本試題紙上作答者，不予計分。

1. Consider the instrumentation amplifier of Fig. 1 with a common-mode input voltage of +5V (dc) and a differential input signal of 5-mV-peak sine wave. Let  $R_1=1\text{ k}\Omega$ ,  $R_2=200\text{ k}\Omega$ , and  $R_3=1\text{ k}\Omega$ ,  $R_4=10\text{ k}\Omega$ .

- (a) Find the voltage  $v_{o1}$  with common-mode and differential-mode voltages (4%)
- (b) Find the voltage  $v_{o2}$  with common-mode and differential-mode voltages (4%)
- (c) Find the voltage  $v_o$  with common-mode and differential-mode voltages (4%)

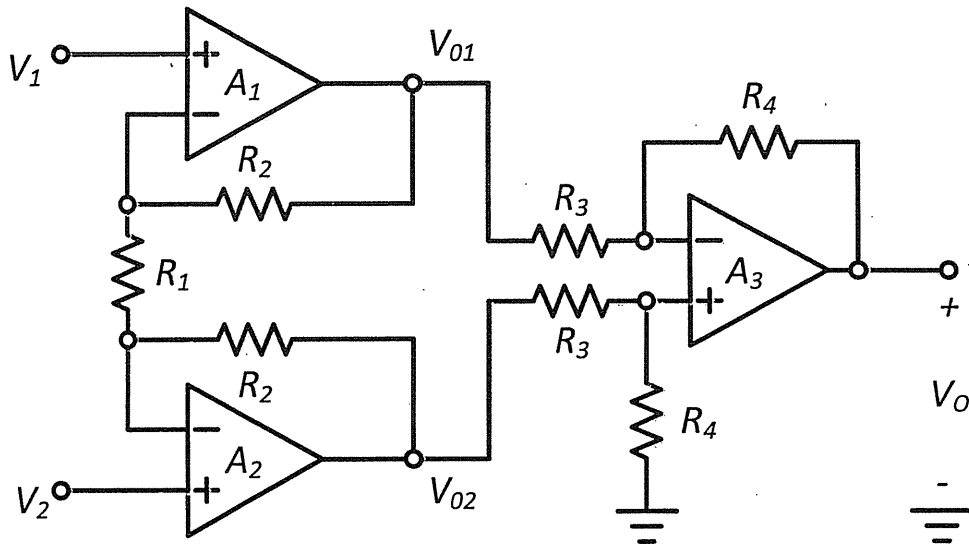


Fig. 1

2. Consider the limiter circuit as shown in Fig. 2. Assume the diodes to be ideal (voltage drop of  $V_D=0$ ), find the output voltage ( $V_O$ ) according to the different input voltages ( $V_I$ ) with

- (a)  $V_I = +1\text{V}$  (4%)
- (b)  $V_I = +6\text{V}$  (4%)
- (c)  $V_I = -6\text{V}$  (4%)

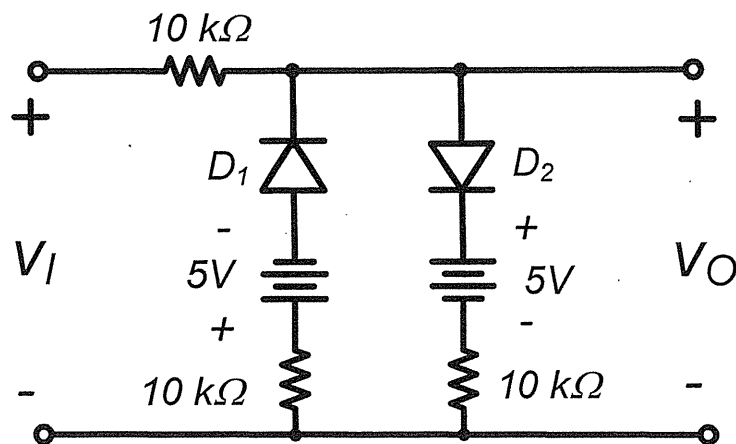


Fig. 2

3. A CMOS differential amplifier operated at a bias current of 1.6 mA employs transistors with  $W/L=100$  and  $\mu_n C_{ox}=0.4 \text{ mA/V}^2$ , using  $R_D=10 \text{ k}\Omega$  and  $R_{SS}=25 \text{ k}\Omega$ .

- (a) Find the differential gain (4%)
- (b) Find the common-mode gain when the drain resistance has a 1% mismatch (4%)
- (c) Find the CMRR (4%)

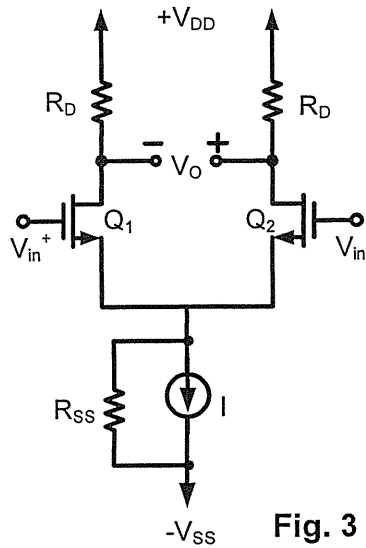


Fig. 3

4. Consider a CS amplifier as shown Fig. 4 with  $g_m=2\text{mA/V}$ ,  $r_o=20 \text{ k}\Omega$ ,  $R_L=20 \text{ k}\Omega$ ,  $R_{sig}=20 \text{ k}\Omega$ ,  $C_{gs}=20 \text{ fF}$ ,  $C_{gd}=5 \text{ fF}$ , and  $C_L=5 \text{ fF}$ .

- (a) Find the voltage gain  $A_M (V_O/V_{sig})$  and the 3-dB frequency  $f_H$  (using the method of open-circuit time constants) (10%)
- (b) Find the gain-bandwidth product (4%)

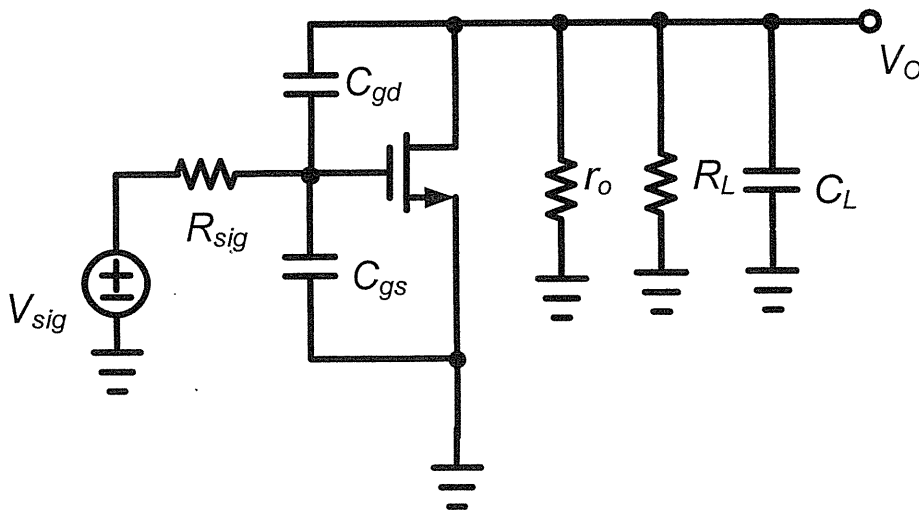


Fig. 4

※ 考生請注意：本試題可使用計算機。請於答案卷(卡)作答，於本試題紙上作答者，不予計分。

5. Explanatory questions:

- (a) Explain why a two-pole system cannot oscillate. (5%)
- (b) Can the circuit shown in Fig. 5 oscillate? Explain. (5%)

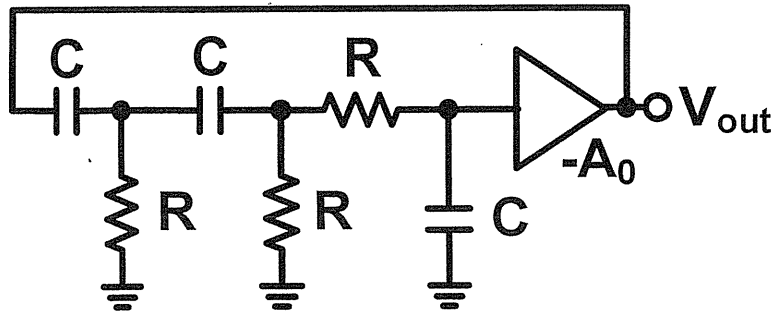


Fig. 5

6. Consider a three-pole feedback amplifier with a loop gain function given by

$$T(f) = \frac{\beta(1000)}{(1 + j\frac{f}{10^3})(1 + j\frac{f}{5 \times 10^4})(1 + j\frac{f}{10^6})} \quad \text{where } \beta \text{ is the feedback factor}$$

- (a) Determine the value of  $\beta$  that yields a phase margin of 45 degrees. (5%)
- (b) Find the low-frequency closed-loop gain of this amplifier based on the result of (a). (5%)

7. Consider a power MOSFET for which the thermal resistance parameters are:

$$\theta_{\text{junction-case}} = 1.75^\circ\text{C/W}, \theta_{\text{case-sink}} = 1^\circ\text{C/W}, \theta_{\text{sink-ambient}} = 5^\circ\text{C/W}, \theta_{\text{case-ambient}} = 50^\circ\text{C/W}$$

For the ambient temperature  $T_{\text{ambient}} = 30^\circ\text{C}$  and the rated maximum junction temperature  $T_{j,\text{max}} = 150^\circ\text{C}$ .

- (a) Determine the maximum allowable power dissipation for the power MOSFET when no heat sink is used. (3%)
- (b) Determine the maximum allowable power dissipation for the power MOSFET when a heat sink is used. (3%)
- (c) Based on the result of (b), find the temperature of the transistor case and heat sink, respectively. (4%)

8. Consider the class-A source-follower circuit shown in Fig. 6. The transistors are matched with parameters  $V_{TN} = 0.5 \text{ V}$ ,  $K_n = 12 \text{ mA/V}^2$ , and  $\lambda = 0$ .

- (a) Determine the maximum and minimum values of output voltage. (6%)
- (b) Find the corresponding input voltages for the circuit to operate in the linear region. (6%)

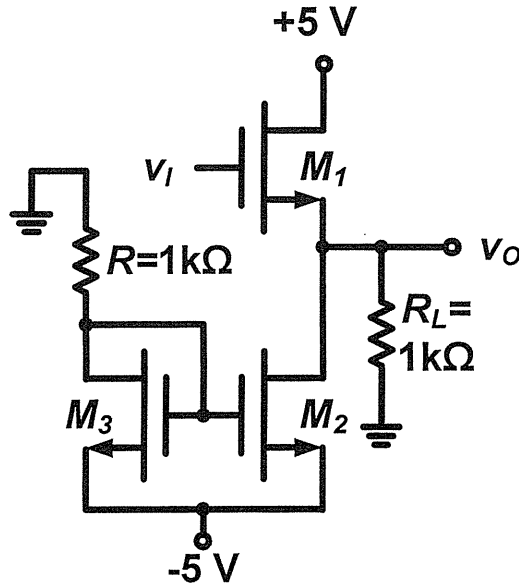


Fig. 6

9. Consider the circuit shown in Fig. 7.

- (a) Determine the required  $R_2/R_1$  value for oscillation to occur. (4%)
- (b) Find the frequency of oscillation. (4%)

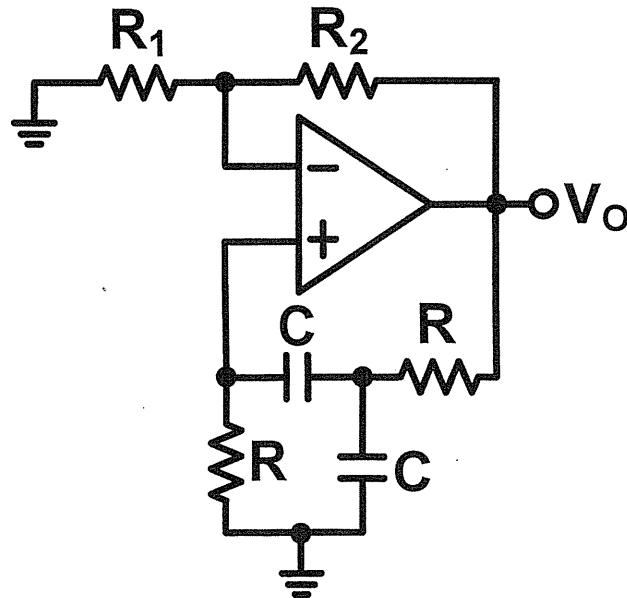


Fig. 7