

國立臺灣師範大學 100 學年度碩士班招生考試試題

科目：電子學

適用系所：工業教育學系

注意：1.本試題共 3 頁，請依序在答案卷上作答，並標明題號，不必抄題。2.答案必須寫在指定作答區內，否則不予計分。

1. For the series-series feedback amplifier in Fig. 1, the op amp is characterized by an open-loop voltage gain $\mu=10^5$ V/V, an input differential resistance $R_{id}=10$ k Ω , and an output resistance $r_o=100$ Ω . The amplifier supplies a current i_o to a load of resistor $R_L=1$ k Ω . The feedback network is composed of resistors $r=100$ Ω , $R_2=10$ k Ω , and $R_1=100$ Ω . It is required to find (30 分)
- (a) the gain-with-feedback $A_f \equiv i_o/v_s$,
 - (b) the input resistance R_{in} , and
 - (c) the output resistance R_{out} .

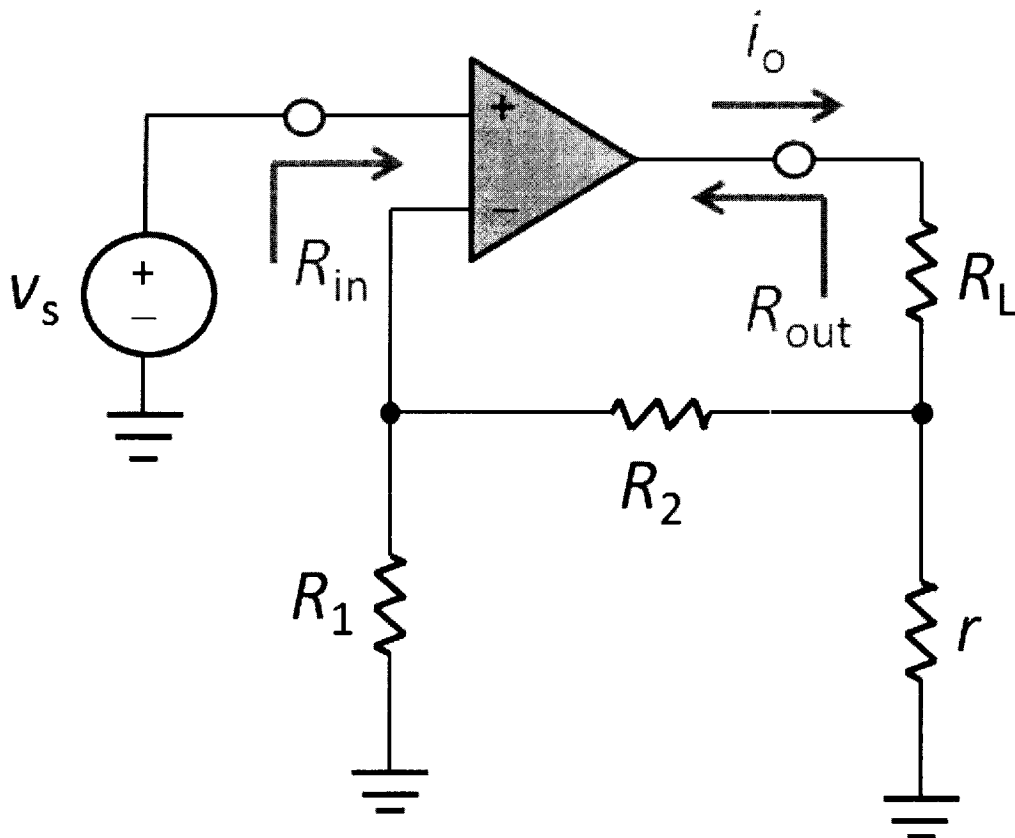


Fig. 1

國立臺灣師範大學 100 學年度碩士班招生考試試題

2. Find the voltage gain v_o/v_i and the input resistance R_i of the amplifier shown in Fig. 2 assuming $\beta=100$. (20 分)

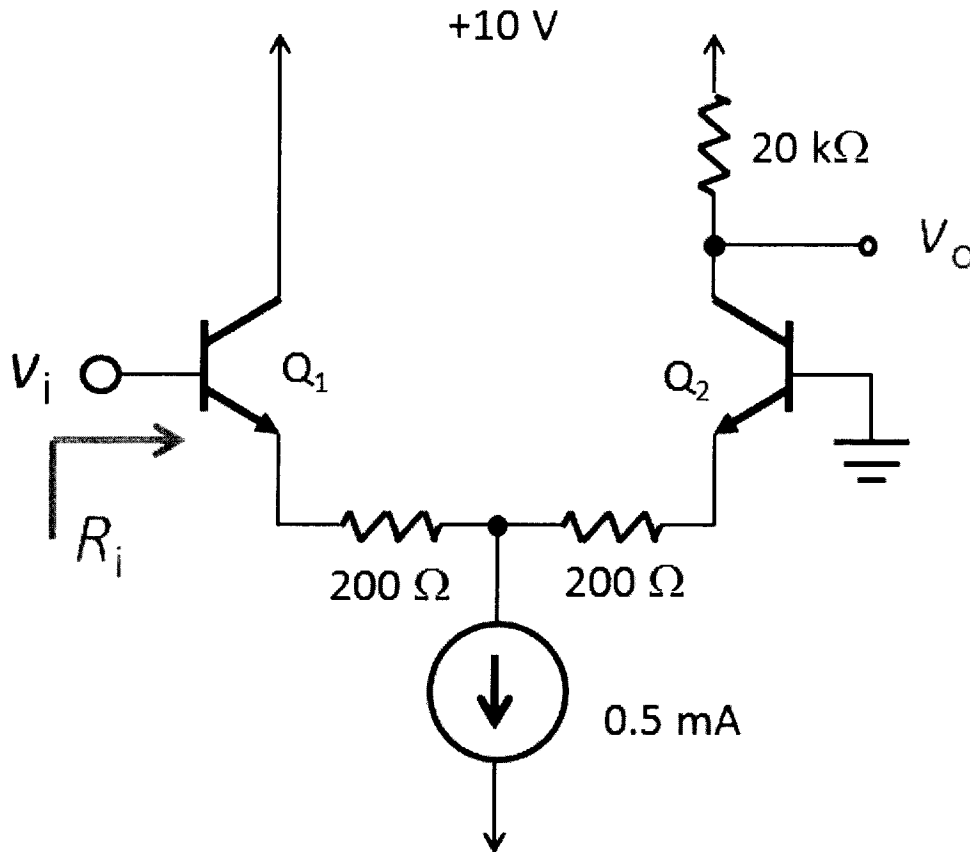


Fig. 2

3. The open-loop gain of an internally compensated op amp is 86 dB at very low frequencies and is 60 dB at 200 kHz. Estimate the 3-dB frequency and the unity-gain frequency of the op amp. (10 points)
4. In Fig. 3, v_{sig} is a small sine-wave signal with zero average. Assume that the PMOS has a very large output resistance r_o and a threshold voltage $V_{tp} = -0.6$ V. (20 points)
- (a) Find a value for R_S to bias the transistor at the drain current $I_D = 0.5$ mA and the overdrive voltage $|V_{ov}| = 0.4$ V.

國立臺灣師範大學 100 學年度碩士班招生考試試題

(b) Find a value for R_D to result in the voltage gain $\frac{v_o}{v_{sig}} = -15 \text{ V/V}$.

(c) Explain the body effect? Does this circuit have the body effect? Reason your answer.

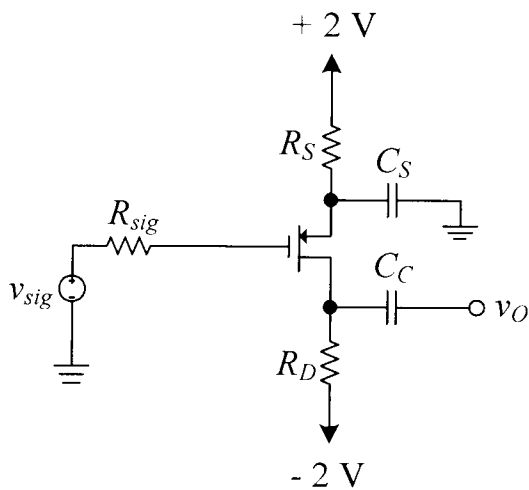


Fig. 3

5. Figure 4 shows a differential amplifier. Sketch the differential half-circuit for this circuit and use it to derive an expression for the differential gain $A_d \equiv v_{od} / v_{id}$ in terms of g_m , R_D , and R_S . Neglect the Early effect. (20 points)

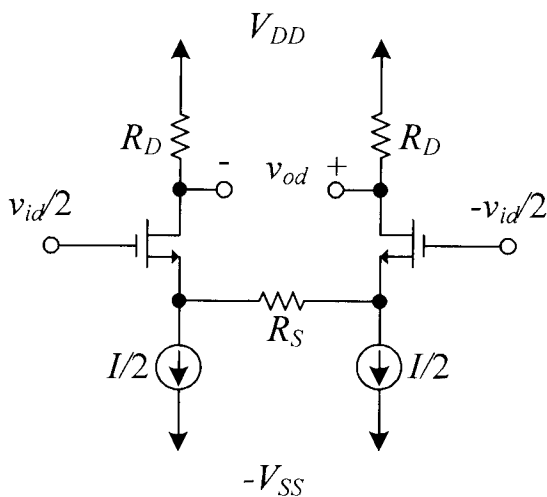


Fig. 4